

Date : 08.09.2016

**NOTICE INVITING TENDER**

Netaji Nagar Day College invites sealed quotations alongwith eligible criteria such as VAT No., TAN etc. from reputed, experienced companies/ firms/ agencies having **ISO 9001-2008, ISO – 14000 Certification. BIFMA Certification Mandatory.**

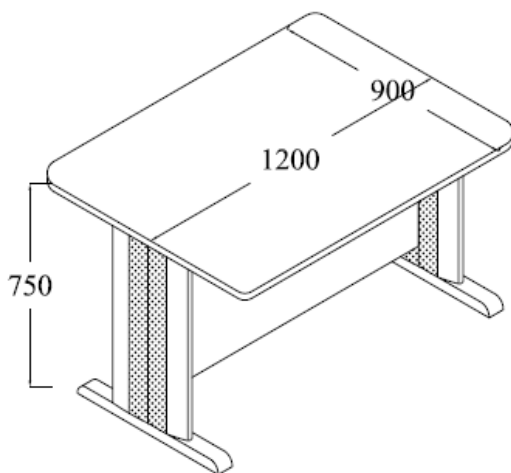
**Library Table** (Req. 10 nos.) size : 1200 mm W X 900 mm D X 750 mm H

**Library Table** (Req. 1 no.) size : 1200 mm W X 750 mm D X 750 mm H

**Specifications :**

All wooden parts made of Calibrated Plywood & Laminate. Plywood would be laminated in both sides. Laminate to be pasted on ply using Automatic Through feed Roller Press machine with heater. Product to be manufactured with Automatic modular furniture machinery. PVC edge banding should be 2 mm REHAU make. PVC edge banding should be pasted in machine at 140 degree celcius temperature. All holes should be done through automatic multi boring machine. The entire furniture should be done in modular concept. All edge banding are pasted with HANKEL/WETGEL hot melt glue.T

Top made of 18 mm thick calibrated laminated ply (BWR) with 2 mm thk PVC edge banding (Make: Rehau). Colour of the top will be Brown. Modesty made of 18 mm thk calibrated laminated ply (BWR) with 0.8 mm thk PVC edge banding(Make: Rehau). The understructure of the table will be made of 2 nos. MS CRCA perforated designer leg (As show in the drawing). All metal should be passing through sand blasting and powder coated with 7 tank surface treatment process.



**Library Chair for student members (Req. 40 nos.) :**

**Specifications :**

Combine seat and back made of one piece 12 mm. molded ply with deco color melamine coating. Understructure made of 14 swg thk round hollow pipe. All metals should be passing through sand blasting and powder coated with 7 tank surface treatment process. Sample of the chairs are given below :



**Library Chair with arm for staff members (Req 10 nos.) :**

**Specifications :**

Chair under structure is made of 14 swg thk 25 mm dia round hollow section. All metals should be passing through sand blasting and powder coated with 7 tank surface treatment process. Seat and back should be made 38 density molded foam with fabric upholstery(Brown colour). Chair handle should be PU soft arm.

**Last date of submission of quotation : 25.09.2016**

**Quotation should be submitted at the Department/ Office : 11.00 A.M. to 3.00 P.M. of each working day except Saturday.**

**Please note that Tax will be deducted as per income tax rules u/s 194C**

(SONALI BANERJEE JASH)  
Principal,  
Netaji Nagar Day College

